

Heat sink

HSG105

As a result of the heat sink it is possible to use medium with higher temperature.

The cooling section reduces the temperature of the hot media. Depending on the ambient temperature the use of medium with temperature of more than 200 C without harming the transmitter is possible.

Different standardised pressure connections allow the combination with the pressure measurement systems.

The distinct advantages

- Favourable solution for high media temperatures
- Easy mounting

Medium

Liquids and gases

Material

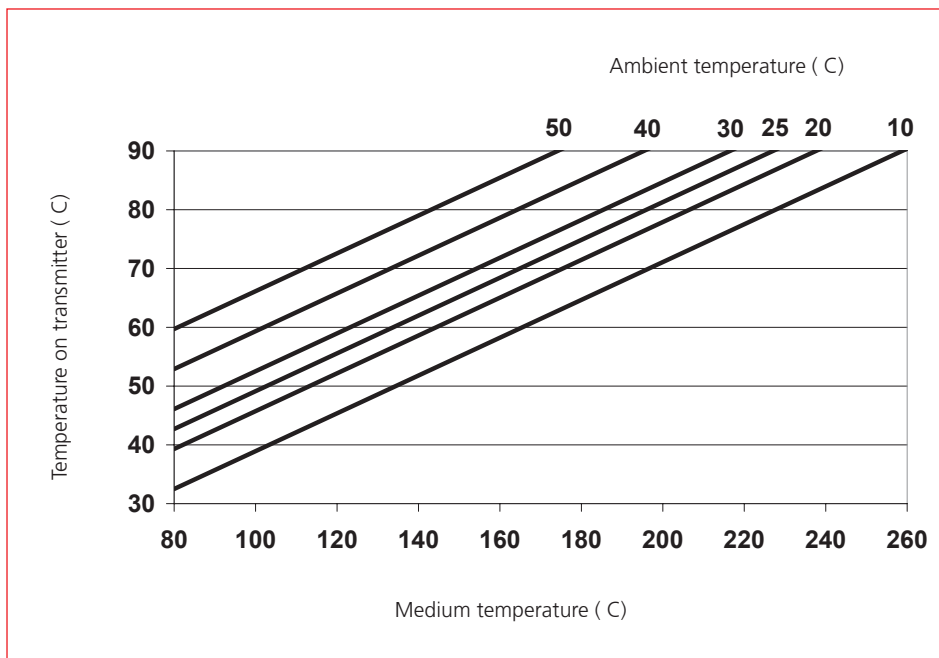
Stainless steel 1.4305 / AISI 303

Media duct

Ø 4 mm

Weight

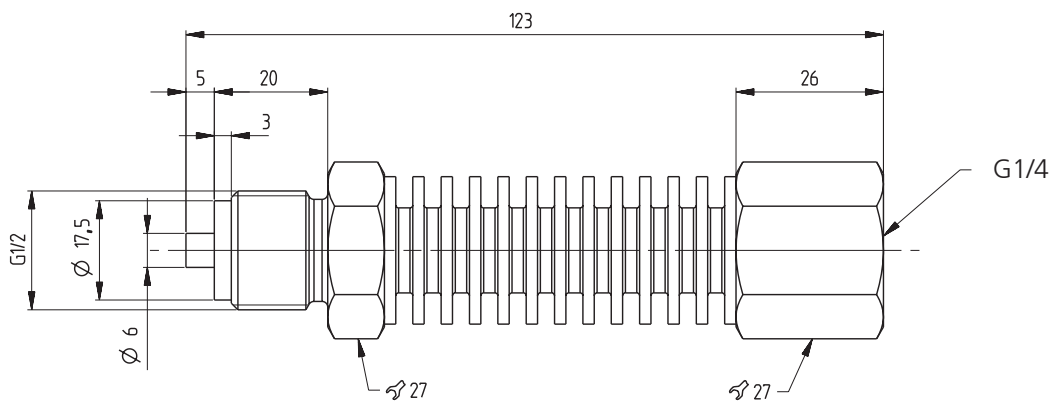
Approx. 325g



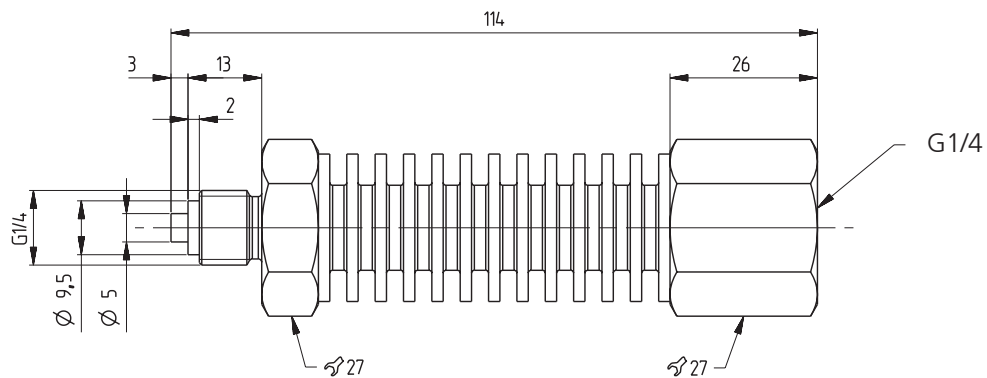
Technical data subject to change

Outside thread	Inside thread	Order number
G1/2	G1/4	HSG10503
G1/4	G1/4	HSG10504
G1/2	G1/2	HSG10506

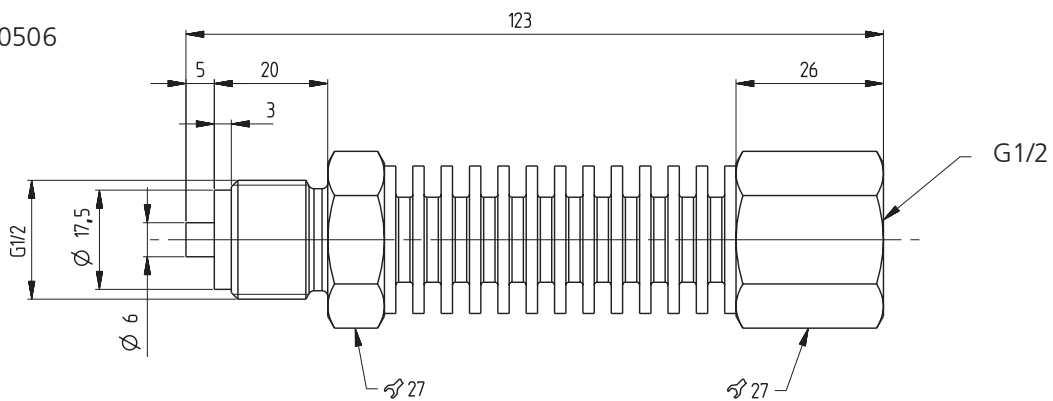
HSG10503



HSG10504



HSG10506



Technical data subject to change

Dimensions in mm