



OEM PRESSURE TRANSMITTER

OEM Pressure Transmitter
for Relative and Absolute Pressure
accuracy 0.5%, range -1...0...60bar

PTS2018

Standard output: 4...20 mA; 2-wire system
or 0...10 VDC; 3-wire system
or 0.5...4.5 VDC; 3-wire system



Description

The compact type PTS2018 pressure transmitter is based upon the well proven ceramic thick film technology developed by iNEQ where the pressure measuring cell is fully welded.

These transmitters are suitable for applications across a broad spectrum of industries.

The pressure sensor complies with electromagnetic compatibility requirements (EMC) as per EN 61326.

Features

- Wetted parts of stainless steel
- High alternating load resistance
- High chemical resistance
- Condensation tightness
- No internal sealing elements
- For dynamic and static load measurements
- Customised pin configuration possible

Measuring ranges

Pressure Range -1...0...60bar

Applications

- Compressors
- Condensers

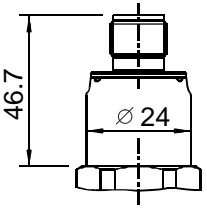
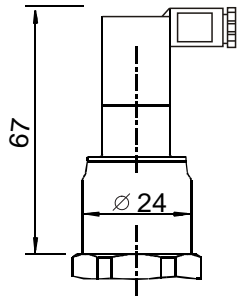
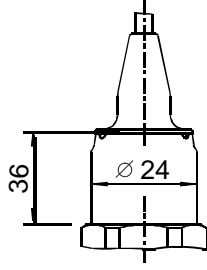
Technical data

Type	PTS2018	
Pressure type	positive or negative gauge pressure	
- measuring ranges [bar]	0...2 bar to 0... 60 bar -1..7 bar -1..9 bar 0..30 bar other measuring ranges on request	
- overrange limit [bar]	≤40 bar 2 x ; >40 bar 1,6 x	
- burst pressure [bar]	6 x	
Sensor element	thin film	
Signal and Signal Type	4...20 mA 2-wire system 0...10 VDC 3-wire system 0,5...4,5 VDC ratio. 3-wire system	
Non-linearity Accuracy Stability annual	≤±0.5 % BFSL according to IEC 61298-2 ≤±0.5 % of F. S ¹⁾ ≤0,3 (at reference condition)	
Material case medium wetted parts	Stainless steel Stainless steel Highly resistive, fibreglass- enforced plastic (PBT GF 30)	
Pressure connection	7/16-20 UNF-2A 7/16-20 UNF Schrader female screw thread G1/4 B acc. to EN 837 1/4 NPT 1/8 NPT	
Electrical connection	Circular connection M12x1 (4-pin) (IP 67) Connector Metri Pack Serie 150 flying lead 1m DIN43650 Plug other electrical connection on request	
Power Supply DC 7...30V DC 14...30V DC 4.5...5.5V	Maximum load R_A $R_A \leq (U_B - 9V) / 0,02 A$ $R_A > 10 k\Omega$ $R_A > 4,5 k\Omega$	Power Supply Depends On Output Signal 4...20 mA 0...10 V 0,5...4,5 V
Response Time	≤5 ms inside of 10% bis 90% of range	
RoHS-conformance	yes	
CE-conformity	2004/108/EG transient emissions (Group 1, Class B) and immunity according to EN61326 Emission	
Electrical protections Short-circuit protection Reverse polarity protection Overvoltage protection	Sig+ towards 0V U_{B+} towards 0V 36 VDC	
Temperature influence Zero point Span	typ. ≤0,5% / 10K ≤0,3% / 10K	
Temperatures of Compensated temperature range Storage Medium Ambience	-25..80°C -25..80°C -40..80°C / -40..135°C -25..80°C	
Weight	ca. 0,085	

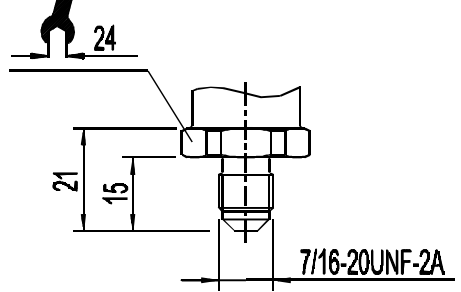
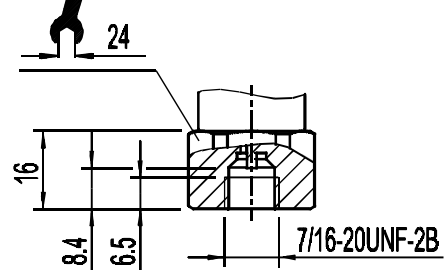
1) Including non-linearity, hysteresis, zero point and full scale error
(corresponds to error of measurement according to IEC 61298-2)

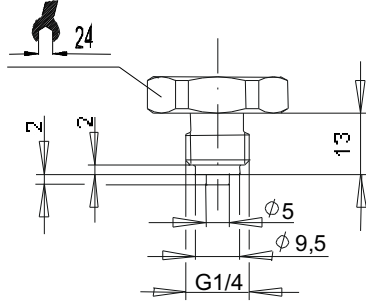
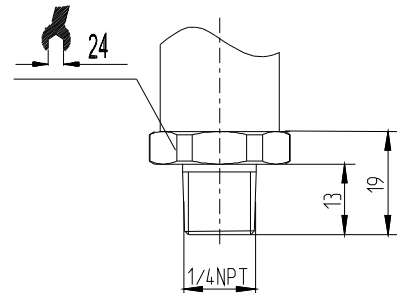
Dimensions (mm)

Case

Circular connector M12x1	DIN 43650 Plug	Moulded cable connection with flying lead
		

Pressure connections

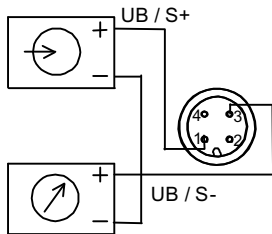
7/16-20UNF-2A	7/16-20UNF-2B Schrader inside
	

G 1/4 B	1/4 NPT
	

Electrical connections

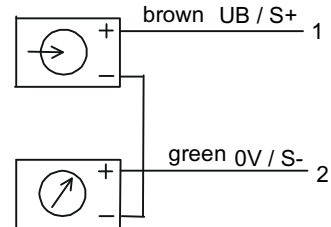
2- wire systems

Circular connector M12x1



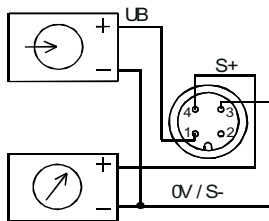
E-033

Moulded cable connection with flying lead / DIN 43650 plug

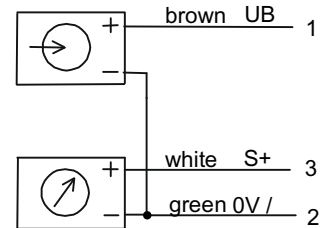


3- wire systems

Circular connector M12x1



Moulded cable connection with flying lead / DIN 43650 plug



Connection table for connector or moulded cable connection with flying leads

	4...20 mA (2-wire system)				0...10VDC / 0.5...4.5VDC (3-wire system)			
	Conector M12x1	connector Metri	Flying lead	DIN 43650 Plug	connector M12x1	connector Metri	Flying lead	DIN 43650 Plug
Supply: UB+	1	B	brown	1	1	B	brown	1
Supply: 0V	3	A	green	2	3	A	green	2
Signal: S+		-	-		4	C	white	3
Signal: S-		-	-		3	A	green	2

Ordering informations

1. Type
2. Measuring range
3. Signal output
4. Options

Modifications reserved