



PRESSURE TRANSMITTER

Pressure Transmitter for High Pressure

Accuracy 0.5%

Standard output: 4...20 mA - 2-wire system
or 0...10 VDC - 3-wire system

Description

Pressure sensors for highest pressures are top of the range among pressure sensors. They are impressive due to the flexible construction of both their electrical and their mechanical connections and in the field of highest pressure measurement they provide the user with the perfect solution to the measuring task in hand.

Long-term stability, peak pressure resistance, corrosion-resistance and a high level of mechanical safety make them suitable for these demanding measuring tasks.

The graduated measuring ranges cover from 0 ... 1600 bar up to the high pressure range of 0 ... 4000 bar. The case and wetted parts are made from stainless steel and are thus resistant to chemically aggressive media.

The measuring cell clamped to the pressure connection by means of a sealing cone guarantees a very high loading capacity. A relief bore ensures a defined escape for the media in the direction of the pressure connection in the event of damage.

Optionally available are a replaceable process connection and a cavitation module for highly dynamic measuring tasks.

Shape A DIN EN 175301-803 plugs with junction box, round connectors M12 x 1 (4-pin) or a cable outlet are provided to pick up the electrical output signals.

Pressure sensors for highest pressures meet the electromagnetic compatibility (EMC) requirements in accordance with EN 61326.



Features

- High peak pressure resistance
- High alternating load resistance
- High long-term stability
- Mechanical safety design
- Corrosion-resistant stainless steel design
- Optional cavitation module
- Replaceable process connection

Measuring ranges

Relative pressure
0...1600 bar to 0...4000 bar

Applications

Autofrettage
Highest pressure cleaning
Highest pressure pasteurisation
Hydroforming

Technical Data

Type	PTS5082	Option
Type of pressure	Relative pressure	
Output signal	4...20 mA - 2-wire system 0...10 VDC - 3-wire system	Others on request
Accuracy	0.5 % of FS ¹⁾	0.5 % of FS on request
Measuring ranges to EN	0... 1600 bar 0... 2500 bar 0... 4000 bar	>4000 bar on request
Sensor element	thin film	
Reproducibility	≤ ± 0.05 % of FS	
Stability per year	≤ ± 0.1 % of FS in rated conditions	
Housing	stainless steel	
Wetted parts	stainless steel	
RoHS conformity	on request	
Overload limit	≤ 5000 bar 1.2-fold; > 5000 bar 1.1-fold;	
Electr. connection	plug to DIN EN 175301-803 shape A with junction box round connectors M12x1 (4-pin)	Cable outlet with 1.5 m cable
Power supply	14...30 VDC, (10...30 VDC for output 4 ... 20 mA)	
Isolation voltage	500 VDC	
Load		
– 4...20 mA	$R_A[\Omega] \leq (U_B[V]-10V)/0.02A$	
– 0...5 V	> 5 kΩ	
– 0...10 V	> 10 kΩ	
Temperature comp. range	0 ... 80°C	
Temperature influence	≤ 1% typical , max. 2.5% in compensated range	
Zero point controllability	± 5% (by means of potentiometer on device)	
Response time	≤ 1 ms (within 10% to 90% of FS)	
Protection type (to IEC 60 529)	IP65 for plug DIN EN 175301-803 shape A IP67 for round connector M12x1	IP 67 for cable outlet
CE conformity		
– Pressure vessels directive	97/23/EC	
– EMC directive	2004/108/EC, EN 61326 Emission (Group 1, Class B) and Interference (industrial area)	
Shock resistance	100g (2.4ms) to IEC 60068-2-27	
Vibration resistance	0.35 (10 ... 55Hz) to IEC 60068-2-6	
Electr. protection types	polarity, overvoltage and short-circuit protection	
Temperature ranges		
– storage	-40 ... 85 °C	
– media	0 ... 80 °C	
– ambient	-20 ... 80 °C	
Weight	approx. 0.3 kg	

of FS = of full scale value

- 1) Terminal point adjustment includes non-linearity, hysteresis, zero point and limit value deviation.
- 2) Declaration of Conformity on request

Dimensions (mm)

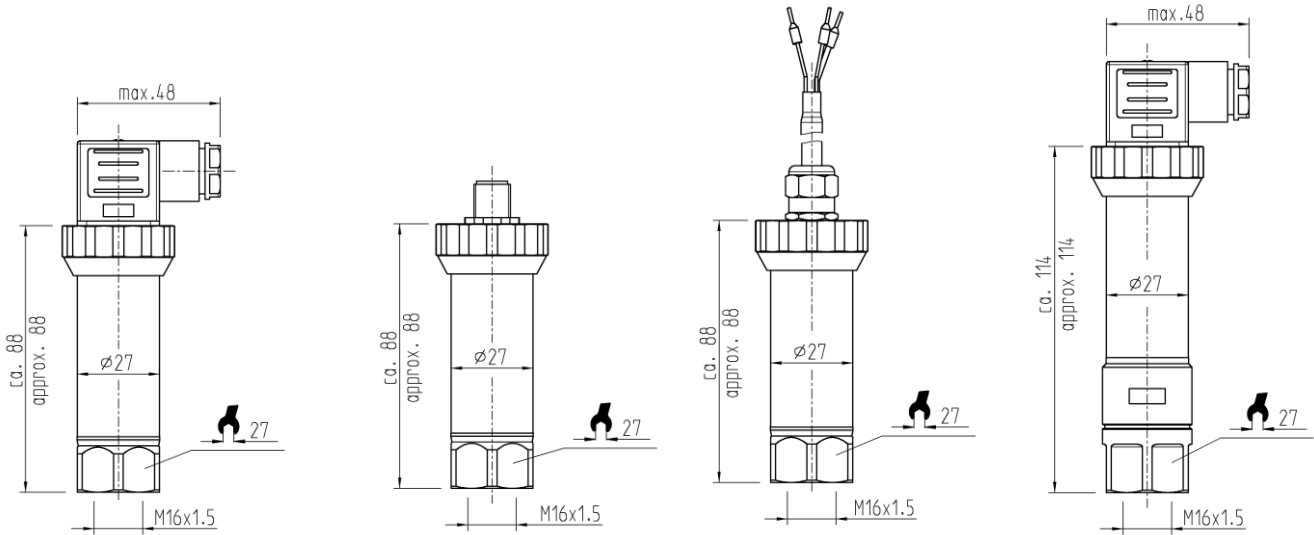
Housing

Plug module
DIN EN 175301-803 shape A

Round connector
M12 x 1

Cable outlet
with 1.5 m long (PUR)

with optional cavitation
and pressure peak protection

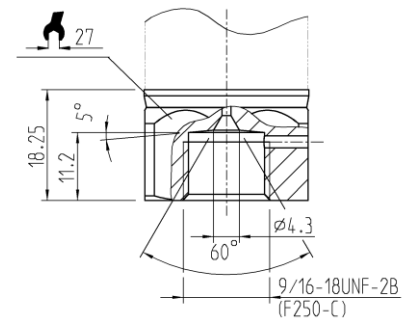
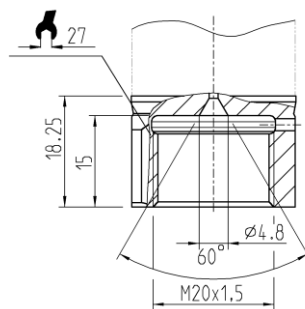
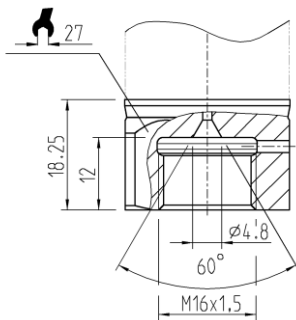


Pressure connections

M16 x 1.5 internal
with sealing cone,
(up to 7000 bar)

M20 x 1.5 internal
with sealing cone

9/16-18 UNF internal,
F250-C
(up to 7000 bar)



Installation and safety notes are provided in the Operating Instructions for this product.

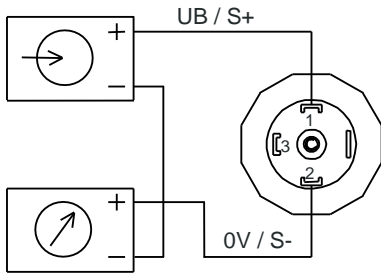
Please take the values applicable for torque and maximum pressure from the documents provided by your high-pressure pipe supplier.

Please pay attention to the max. permissible pressure for the high-pressure pipes you are using (see information provided by the high-pressure pipe producer)

Electrical connection

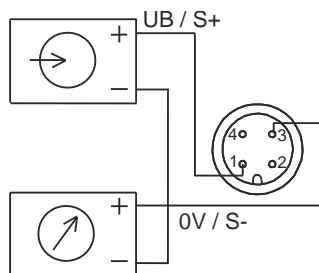
Two-wire system

Plug DIN EN 175301-803A



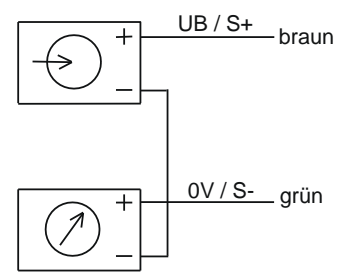
E-001

Round connector M12x1



E-033

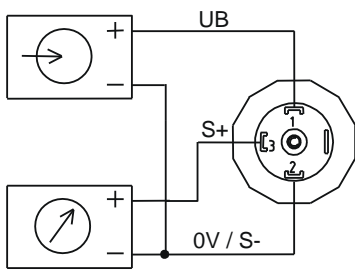
Cable outlet



E-015

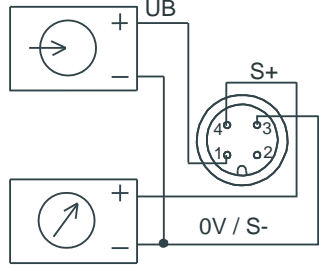
Three-wire system

Plug DIN EN 175301-803A



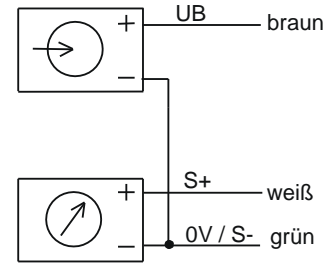
E-002

Round connector M12x1



E-034

Cable outlet



E-017

Connection table for plug or cable outlet

	4...20 mA (2-wire)			0...10VDC (3-wire)		
	Plug M12x1	DIN plug	Cable outlet	Plug M12x1	DIN plug	Cable outlet
Supply: UB+	1	1	brown	1	1	brown
Supply: 0V	3	2	green	3	2	green
Signal: S+		-	-	4	3	white
Signal: S-		-	-	3	2	green

Order details

1. Type
2. Measuring range
3. Output signal

Subject to technical changes

PTS5082